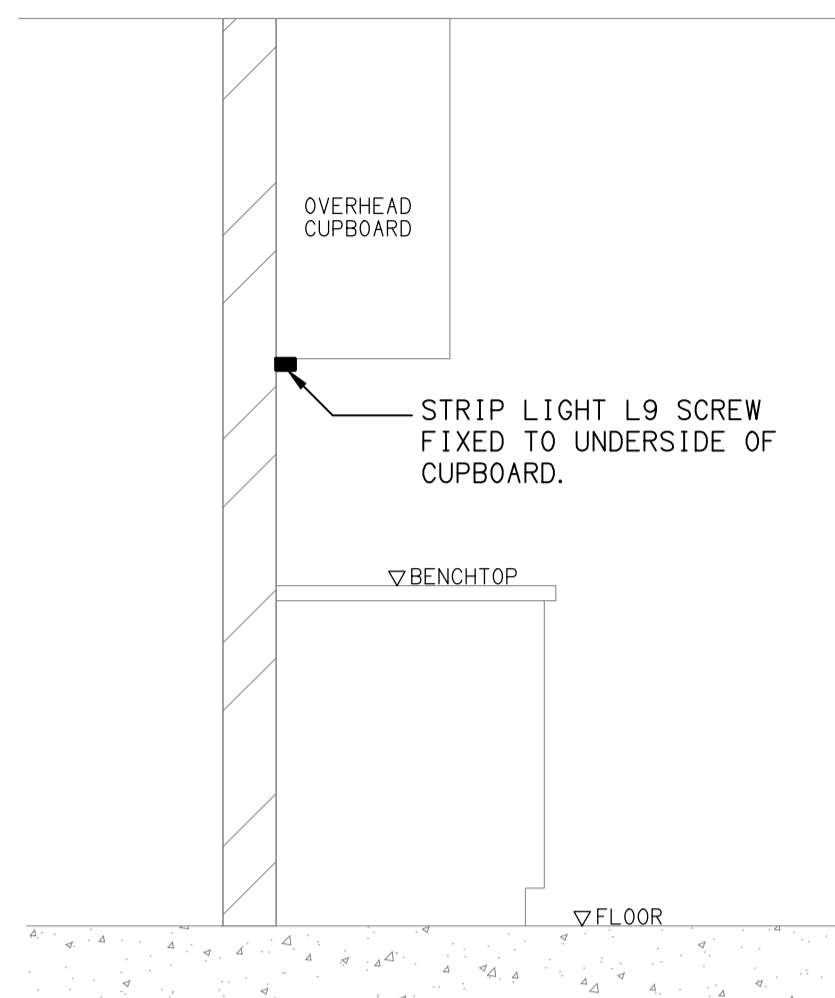
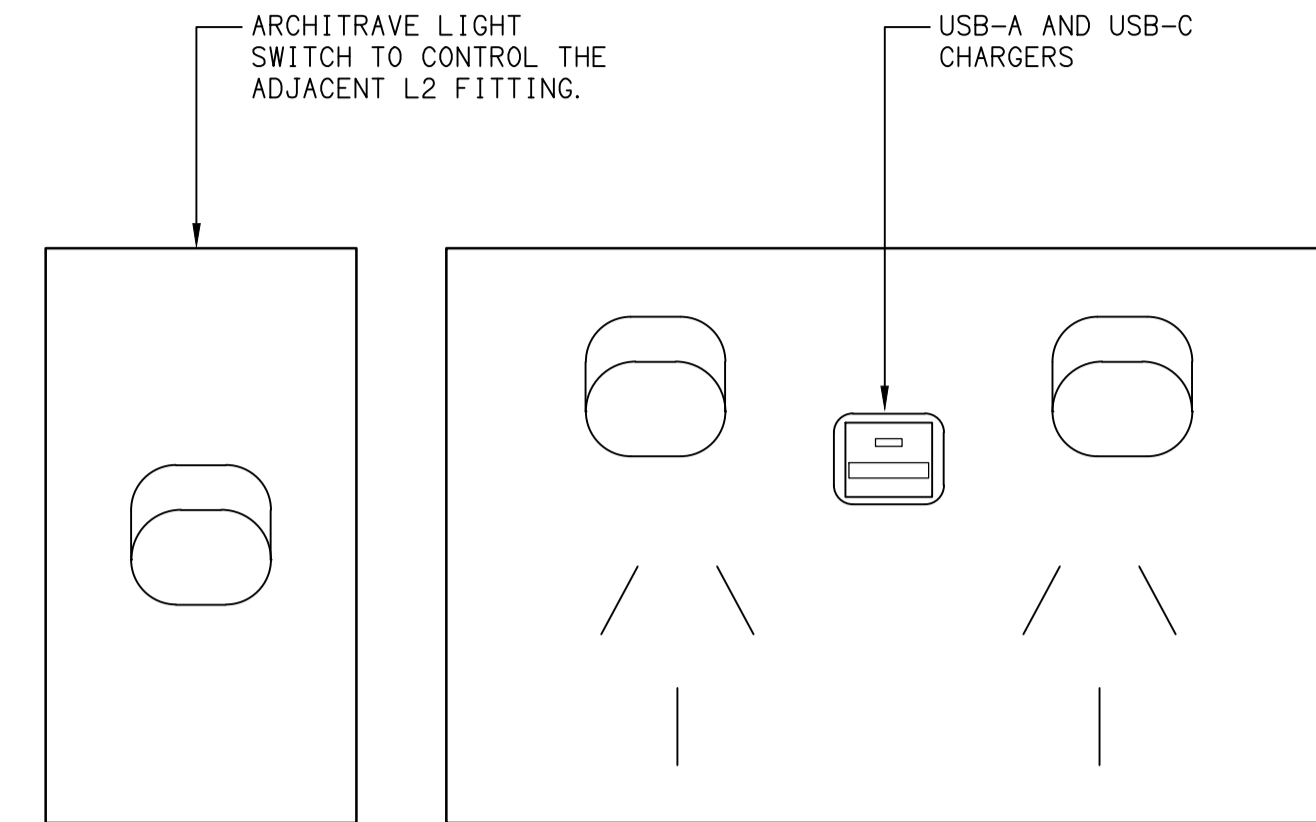


DETAIL
TYPICAL OUTLET MOUNTINGS
NOT TO SCALE

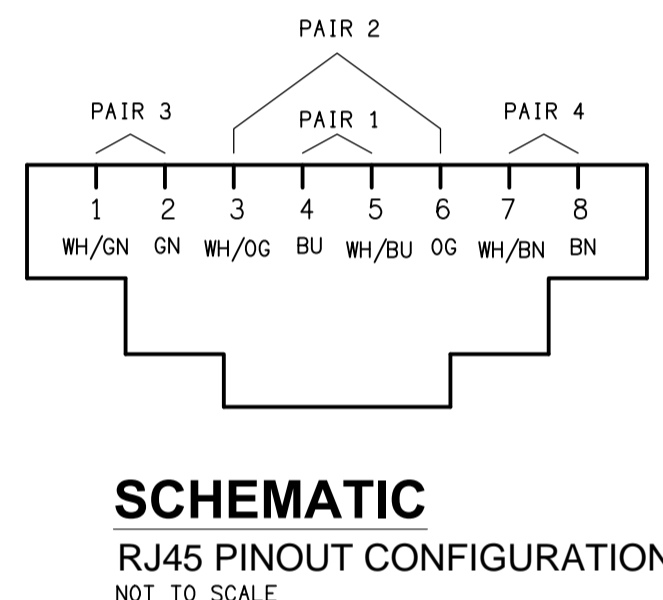


DETAIL
'L9' STRIP LIGHT MOUNTING
NOT TO SCALE

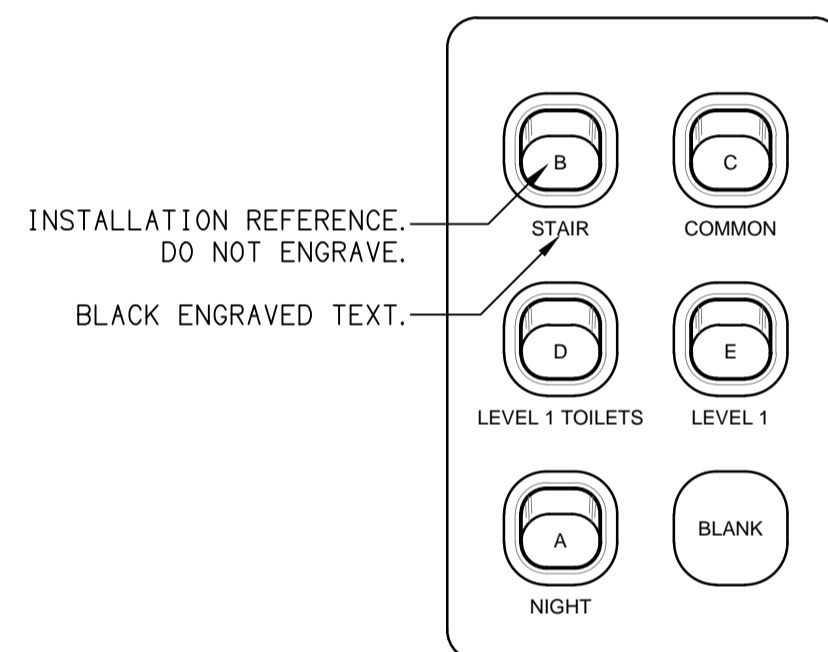


DETAIL A
OUTLET TYPE A CONFIGURATION
NOT TO SCALE

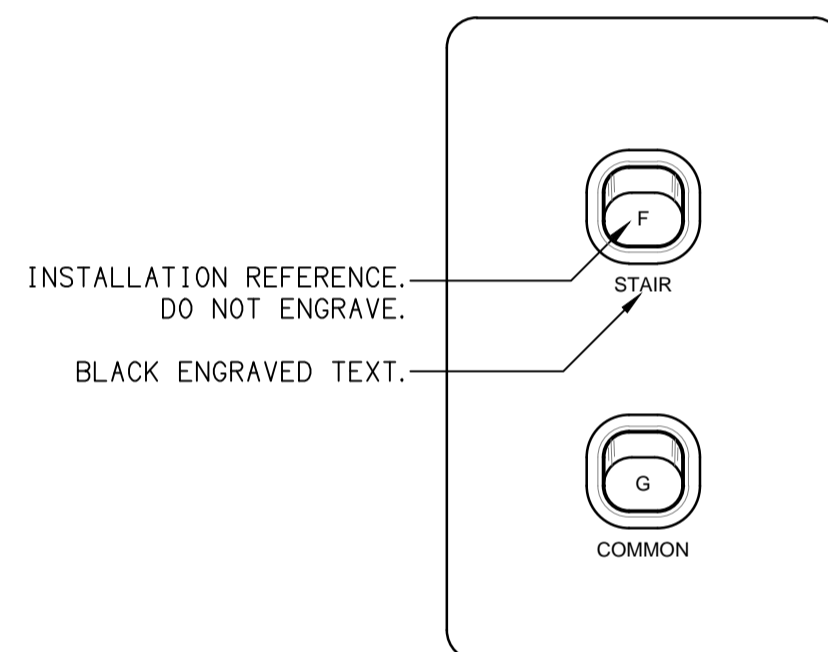
- EQUIPMENT:**
- TEST - TEST PUSH BUTTON MOUNTED ON THE DISTRIBUTION BOARD ESCUTCHEON.
 - RESET - RESET PUSH BUTTON MOUNTED ON THE DISTRIBUTION BOARD ESCUTCHEON.
 - LAMP - AMBER TEST INDICATING LAMP MOUNTED ON THE DISTRIBUTION BOARD ESCUTCHEON.
 - Ta - ADJUSTABLE 0-3 HOUR TIMED RELAY.
 - Tb - 15 MINUTE RUN-ON TIMER TO OPERATE UPON THE RETURN OF MAINS POWER.
 - Cx - CONTACTOR x.
 - CRx - CONTROL RELAY x.
 - Rx - RELAY x.



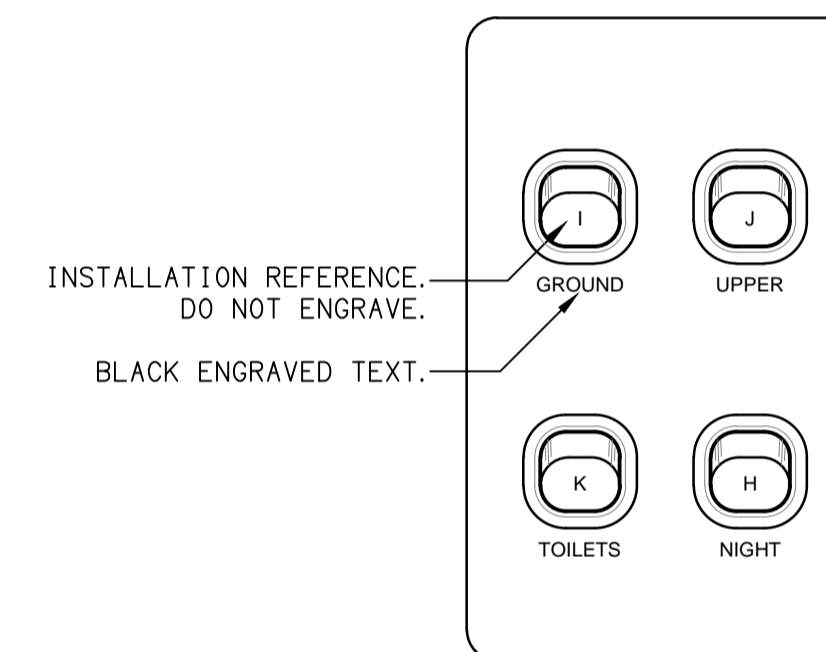
SCHEMATIC
RJ45 PINOUT CONFIGURATION
NOT TO SCALE



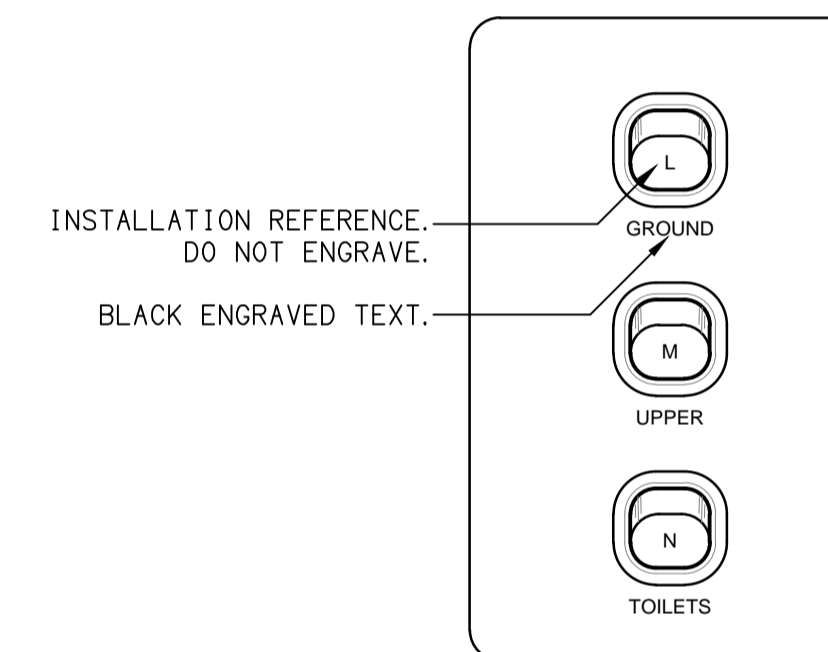
DETAIL
SP1 LIGHTING CONTROL ELEVATION
NOT TO SCALE



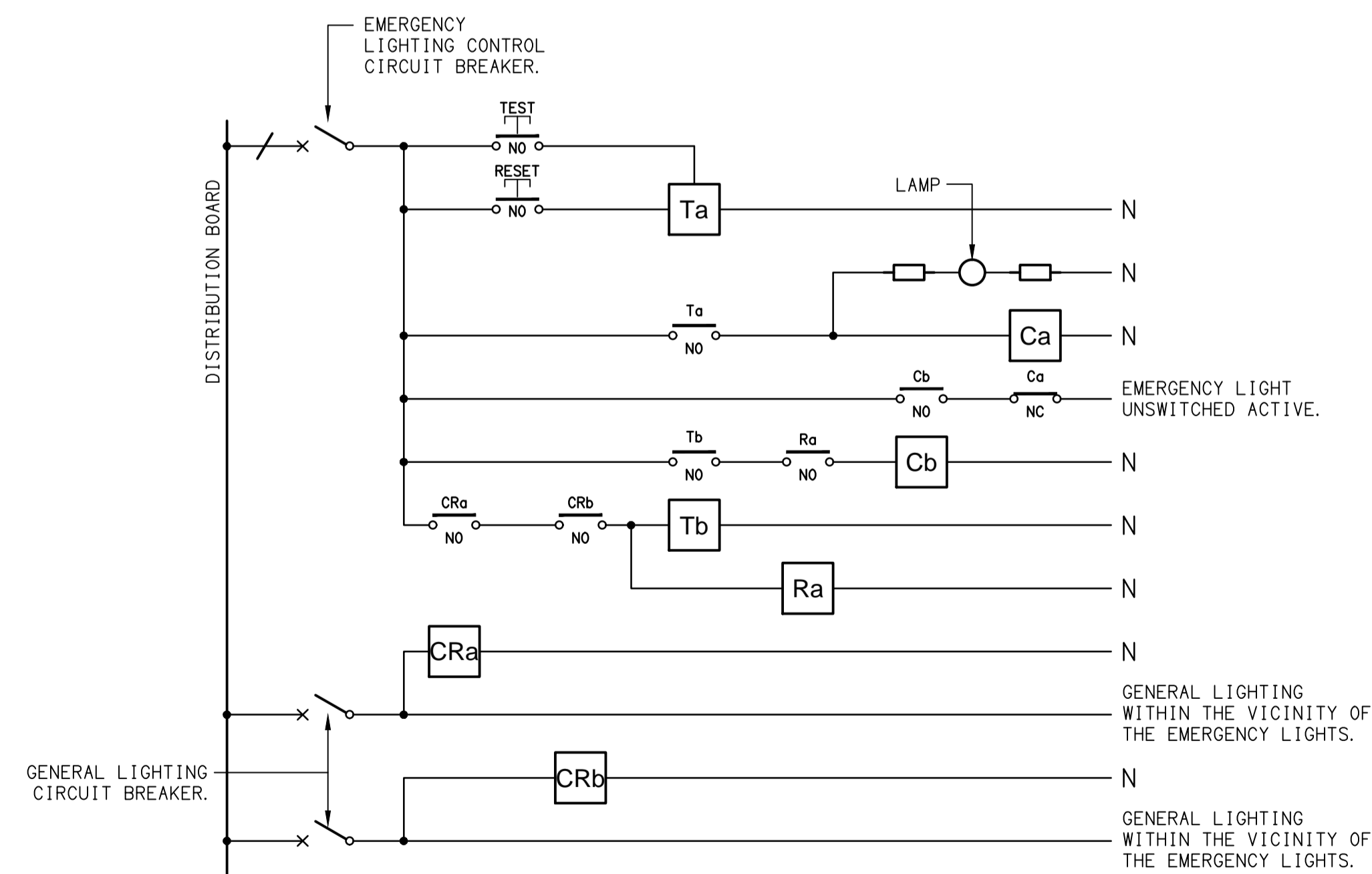
DETAIL
SP2 LIGHTING CONTROL ELEVATION
NOT TO SCALE



DETAIL
SP4 LIGHTING CONTROL ELEVATION
NOT TO SCALE



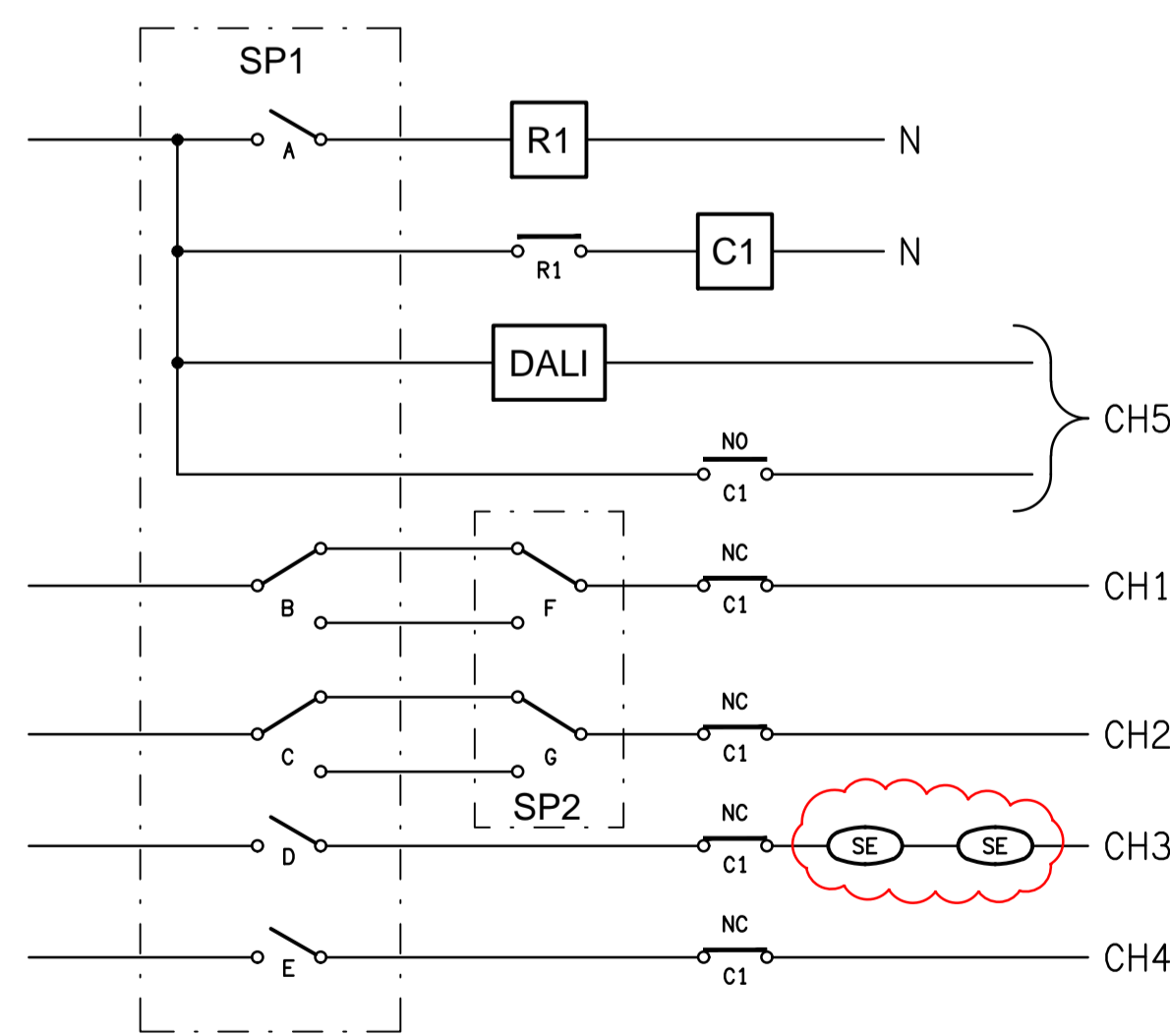
DETAIL
SP3 LIGHTING CONTROL ELEVATION
NOT TO SCALE



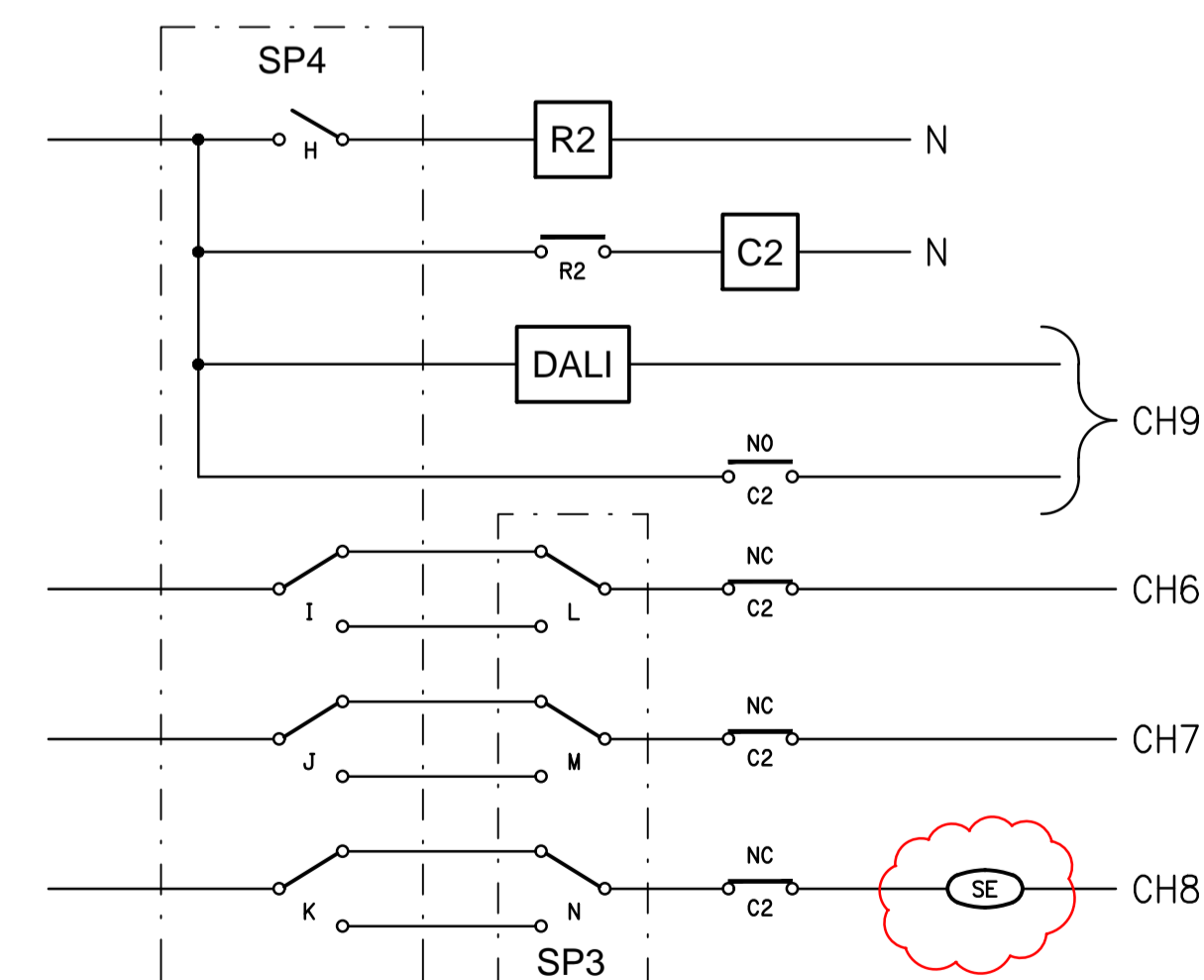
SCHEMATIC
EMERGENCY LIGHTING
NOT TO SCALE

NOTES

- THE EMERGENCY LIGHT UNSWITCHED ACTIVE / GENERAL LIGHTING SWITCHED ACTIVE CIRCUIT ARRANGEMENT AND CONTROL IS TYPICAL FOR ALL CIRCUITS SUPPLYING EMERGENCY LIGHTS.
- PROVIDE ADDITIONAL CONTROL RELAYS (CRx) CONFIGURED AS PER CRa AND CRb FOR ALL ADDITIONAL LIGHTING CIRCUITS THAT SUPPLY LIGHTS IN THE VICINITY OF THE EMERGENCY LIGHTS.



SCHEMATIC
SP1 & SP2 LIGHTING CONTROL CONFIGURATION
NOT TO SCALE



SCHEMATIC
SP3 & SP4 LIGHTING CONTROL CONFIGURATION
NOT TO SCALE